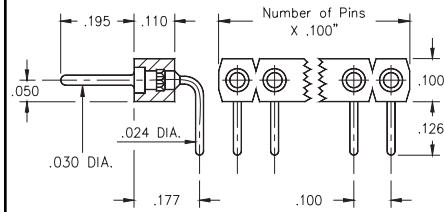
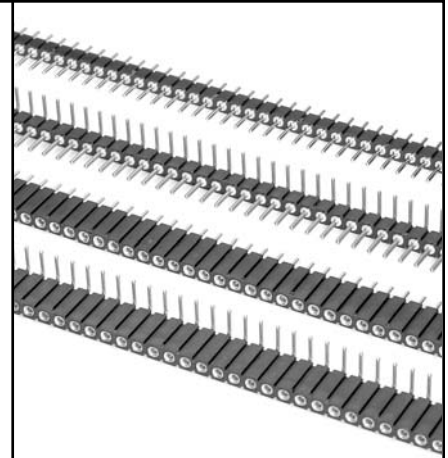
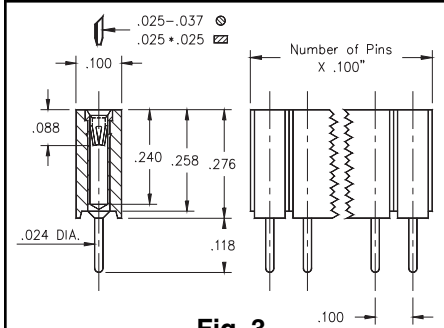


**Fig. 1**

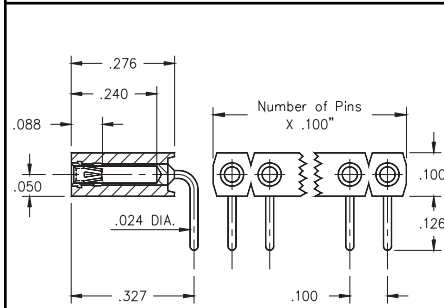
- Pin interconnects available with straight MM #7007 or right angle MM #5005 solder tails. See page 173 for details.
- Sockets are available with straight MM #1304 or right angle MM #1305 solder tails. See pages 146 & 147 for details.
- MM #1304 and MM #1305 receptacles use Hi-Rel, 6-finger BeCu #47 contacts rated at 4.5 amps. Receptacles accept .030" diameter and .025" square pins. See page 211 for details.
- Insulators are high temp. thermoplastic.



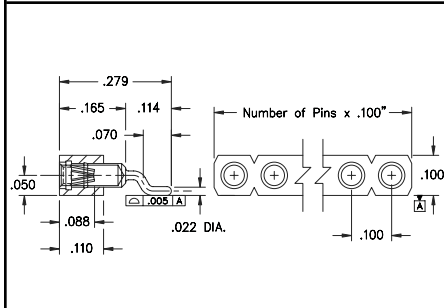
**Fig. 2**



**Fig. 3**



**Fig. 4**



**Fig. 5**

**Ordering Information**

<b>Fig. 1</b>	<b>Series 800...10-001</b>	<b>Straight Pin Header</b>
	800-XX-0__-10-001000	Specify # of pins → 01-64
<b>Fig. 2</b>	<b>Series 800...20-001</b>	<b>Right Angle Pin Header</b>
	800-XX-0__-20-001000	Specify # of pins → 02-64



**XX= Plating Code**  
See Below

For RoHS compliance select ◇ plating code.

SPECIFY PLATING CODE XX=	<b>10</b> ◇	<b>90</b>	<b>40</b> ◇	
Pin Plating	10μ" Au	200μ" Sn/Pb	200μ" Sn	

<b>Fig. 3</b>	<b>Series 801...10-001</b>	<b>Straight Socket</b>
	801-XX-0__-10-001000	Specify # of pins → 01-50
<b>Fig. 4</b>	<b>Series 801...20-001</b>	<b>Right Angle Socket</b>
	801-XX-0__-20-001000	Specify # of pins → 01-50
<b>Fig. 5</b>	<b>Series 801...40-002</b>	<b>SMT Right Angle Socket</b>
	801-XX-0__-40-002000	Specify # of pins → 02-10



**XX= Plating Code**  
See Below

For RoHS compliance select ◇ plating code.

SPECIFY PLATING CODE XX=	<b>13</b> ◇	<b>93</b>	<b>99</b>	<b>43</b> ◇	<b>44</b> ◇
Sleeve (Pin)	10μ" Au	200μ" Sn/Pb	200μ" Sn/Pb	200μ" Sn	200μ" Sn
Contact (Clip)	30μ" Au	30μ" Au	200μ" Sn/Pb	30μ" Au	200μ" Sn